

OPTION

INDEX

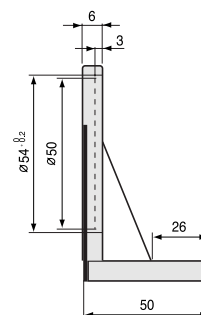
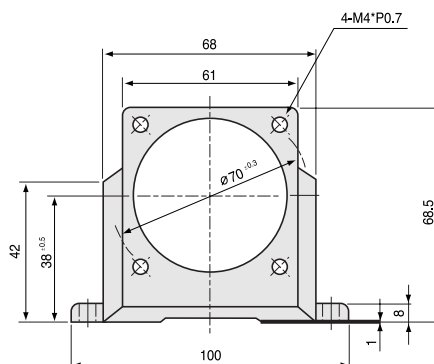
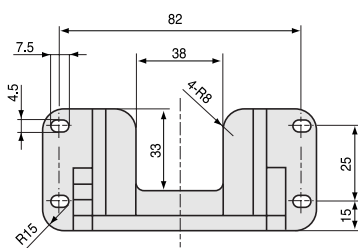
Mounting Plate for Motor & Gearhead	310
Extension Cable	314
Surge Absorber	314
External Speed Controller	315
Braking External Resistor	315



+ Mounting Plate for Motor & Gearhead



60mm

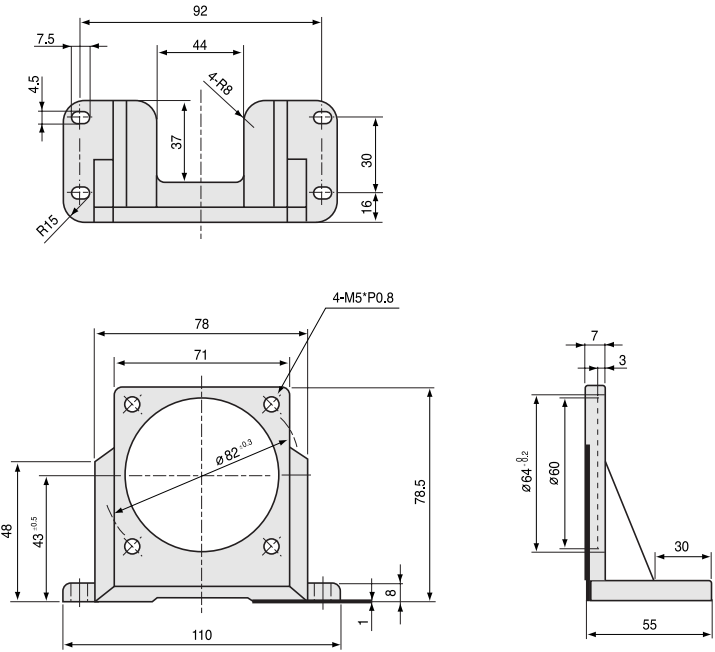


- **MODEL : SPL-6A**
WEIGHT 45g, MATERIAL Al
- **APPLICATION ITEMS**
GEARHEAD : S6□A
MOTOR : S6□06

70mm



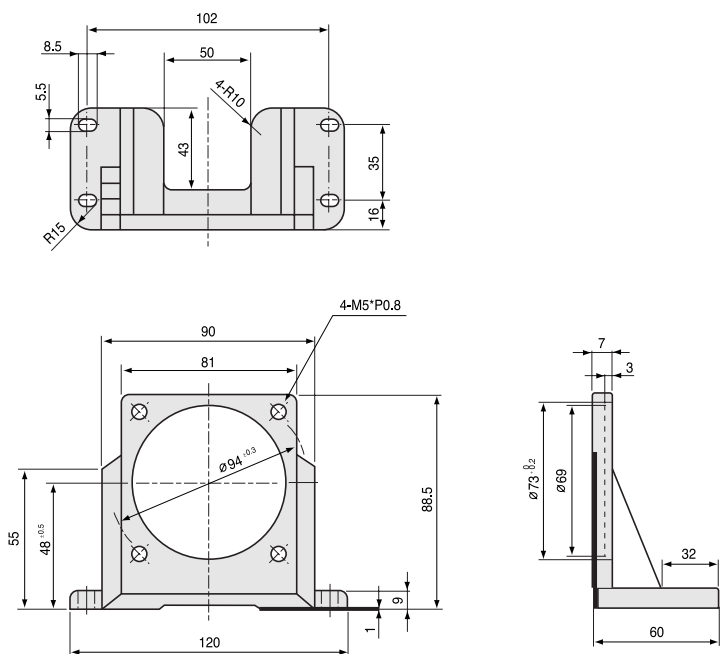
- **MODEL : SPL-7A**
WEIGHT 75g, MATERIAL Al
- **APPLICATION ITEMS**
GEARHEAD : S7□A
MOTOR : S7□15



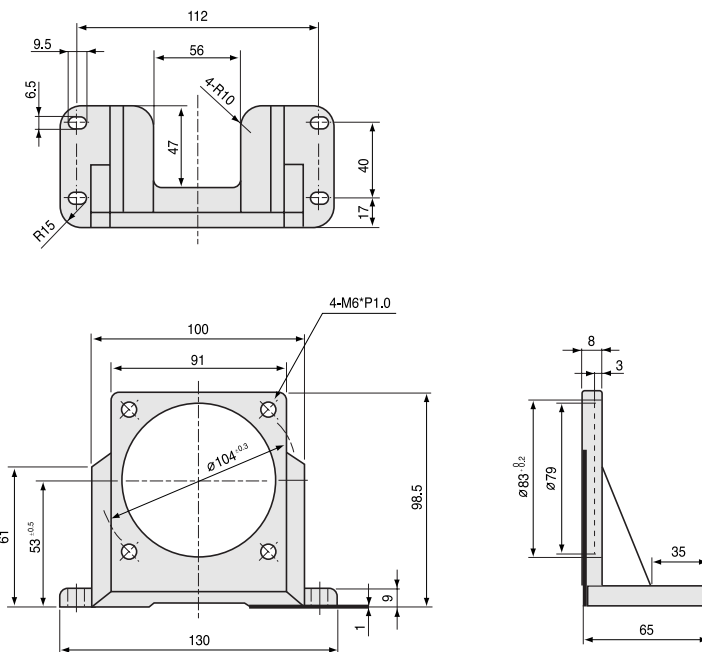
80mm



- **MODEL : SPL-8A**
WEIGHT 120g, MATERIAL Al
- **APPLICATION ITEMS**
GEARHEAD : S8□A
MOTOR : S8□(15, 25)

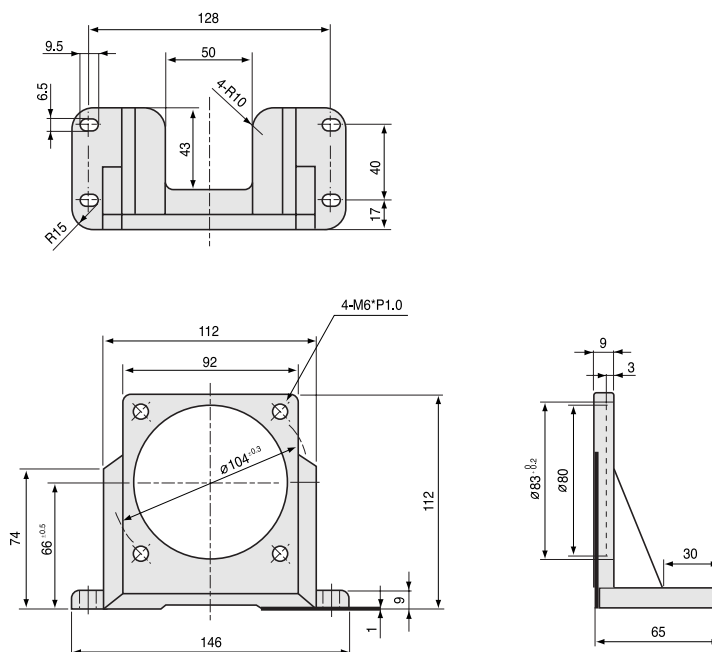


□ 90mm



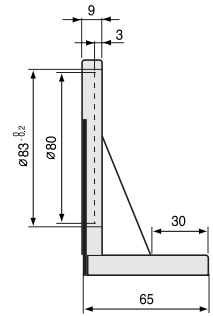
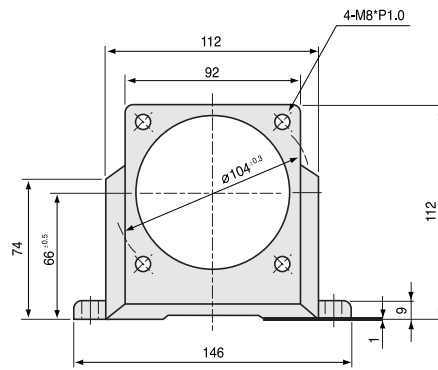
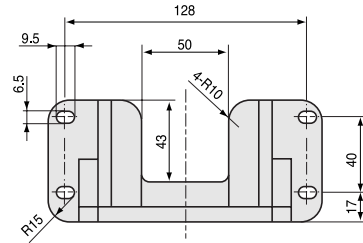
- **MODEL : SPL-9A**
WEIGHT 140g, MATERIAL AI
- **APPLICATION ITEMS**
GEARHEAD : S9□A
MOTOR : S9□40~200

□ 90mm



- **MODEL : SPL-9SA**
WEIGHT 270g, MATERIAL AI
- **APPLICATION ITEMS**
GEARHEAD : S9□C(L,H)
GEARHEAD : S9□B(L,H) When needed stronger mounting plate.
MOTOR : S9□40~200(L, H)

90mm



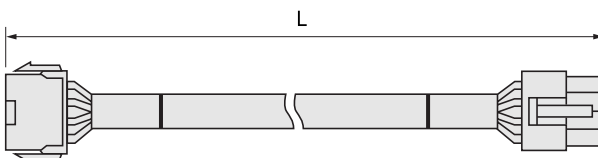
- **MODEL : SPL-9SB**
WEIGHT 270g, MATERIAL Al
- **APPLICATION ITEMS**
GEARHEAD : S9□D□B, S9□H□B

+ EXTENSION CABLE

- Use the extension cable between speed control motor and controller unit.
- Sold separately.
- Controller unit has 0.5m built-in cable. Additional purchase of extension cable is possible if required.
- Refer to the below table, for the length of extension cable and the name of model.



DIMENSION [Unit : mm]

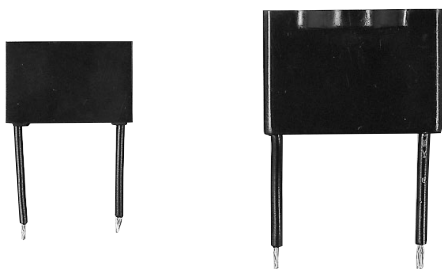


MODEL NAME

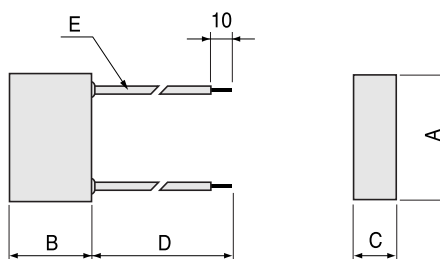
MODEL NAME	LENGTH OF EXTENSION CABLE
SOEW-05	0,5m
SOEW-10	1,0m
SOEW-15	1,5m
SOEW-20	2,0m
SOEW-30	3,0m
SOEW-40	4,0m
SOEW-50	5,0m

+ SURGE ABSORBER

- Contact protector of relay switch used to operate direction of the motor and/or braking circuit.
- Sold separately.



DIMENSION [Unit : mm]



MODEL Name and Dimension

MODEL	VOLTAGE	RESISTANCE	CAPACITOR	DIMENSION (mm)				E (LEAD WIRE)
				A	B	C	D	
SK1202-25	AC 250V	120Ω	0,2μF	26,0	16,5	8,5	200	UL1007 AWG #22
SK1202-50	AC 500V	120Ω	0,2μF	36,0	25,0	16,0	200	UL1015 AWG #20