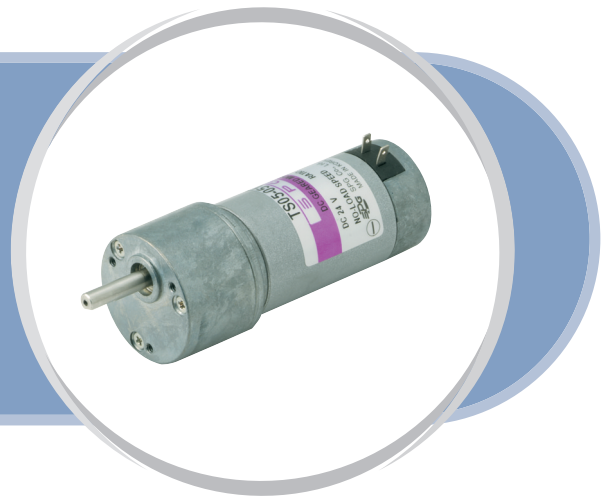
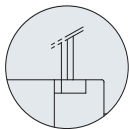
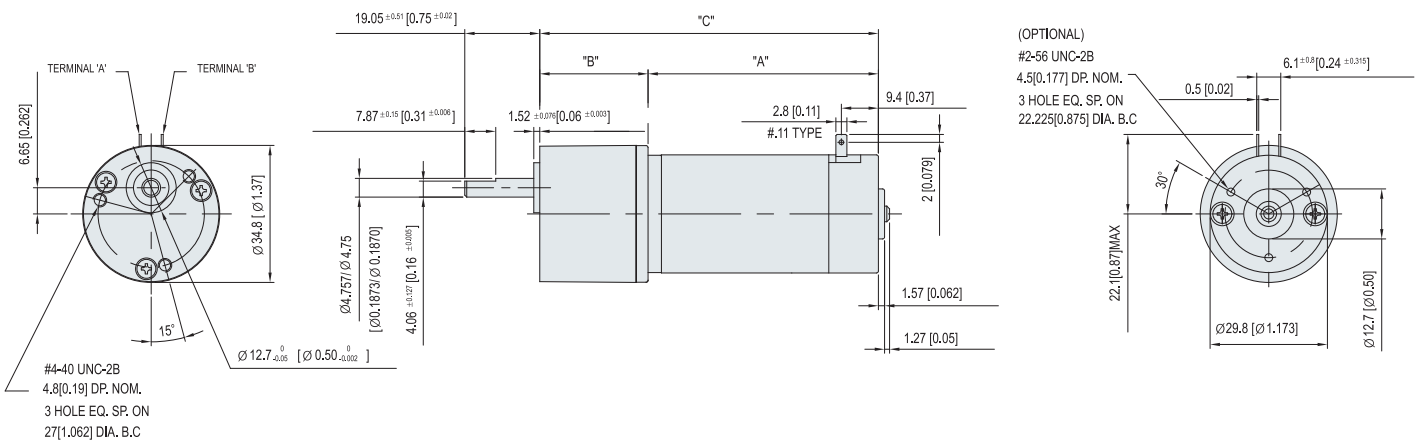


COMPACT TYPE RS3 SERIES GEARED MOTOR



MOTOR DIMENSION

UNIT : mm[inch]



CONNECTOR OPTIONAL
LEAD WIRES
457±10[17.992±0.787](L/W LENGTH)
RED&BLACK

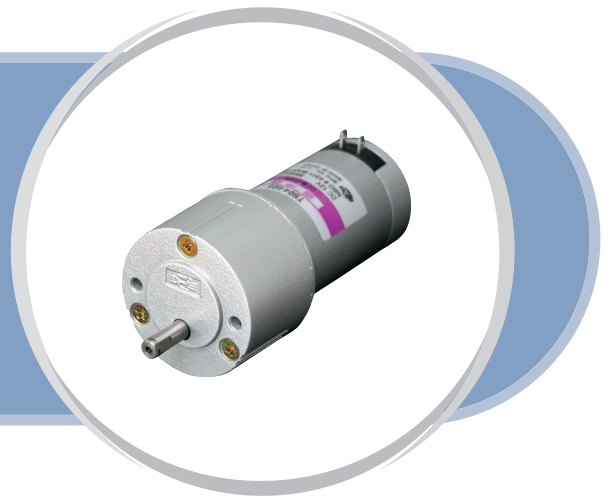
MODEL NO.	"A"	"B"		"C"
		RATIO : ~ 1/187.7	RATIO : 1/297.5 ~	
RS32□□□□	50.1 [1.972]			74.6 [2.937], 77.6 [3.055]
RS33□□□□	52.2 [2.055]	24.5 [0.965]	27.5 [1.083]	76.7 [3.020], 79.7 [3.138]
RS34□□□□	58.5 [2.303]			83.0 [3.268], 86.0 [3.386]

PERMISSIBLE TORQUE OF GEAR BOX

TYPE	GEAR RATIO	6.3	9.9	19.5	30.9	60.5	95.9	187.7	297.5	581.8
RS32B□□□	No Load rpm	1230	783	397	251	128	81	41	26	13
	N-m	0.06	0.08	0.16	0.22	0.44	0.62	1.22	1.23	1.23
	oz-in	7.9	11.2	22.1	31.6	61.8	88.2	172.6	174.8	174.8
	kgf·cm	0.57	0.81	1.60	2.28	4.46	6.36	12.44	12.60	12.60
RS33B□□□	No Load rpm	1291	821	417	263	134	85	43	27	14
	N-m	0.07	0.10	0.20	0.28	0.56	0.79	1.23	1.23	1.23
	oz-in	10.1	14.3	28.2	40.2	78.7	112.3	174.8	174.8	174.8
	kgf·cm	0.73	1.03	2.03	2.90	5.67	8.09	12.60	12.60	12.60
RS34B□□□	No Load rpm	1613	1026	521	329	168	106	54	34	17
	N-m	0.09	0.13	0.26	0.36	0.71	1.02	1.23	1.23	1.23
	oz-in	13.0	18.4	36.2	51.7	101.2	144.3	174.8	174.8	174.8
	kgf·cm	0.94	1.33	2.61	3.72	7.29	10.40	12.60	12.60	12.60

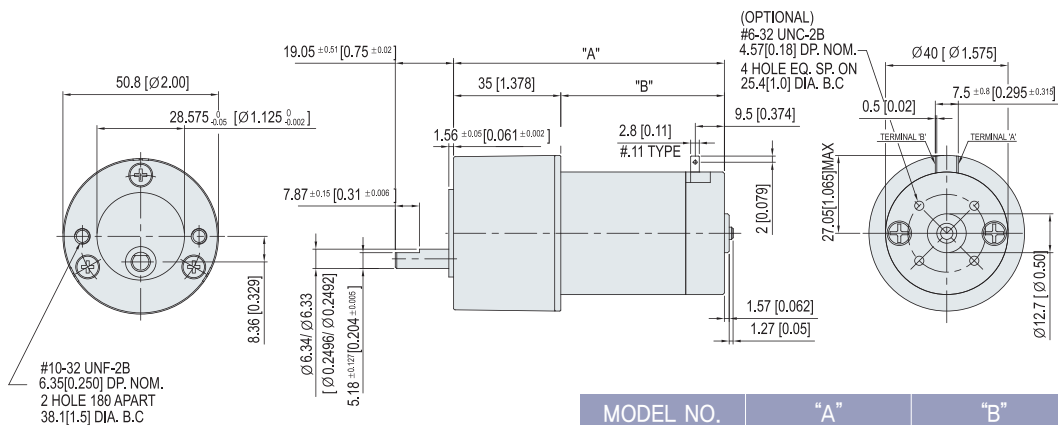
- ■ Color indicates that the output shaft of the geared motor rotates in the same direction as the output shaft of the motor. Others indicate rotation in the opposite direction.
- No Load rpm equals Motor no load rpm divided by gear ratio.
The actual rotation speed is less 2-20% than the displayed value according to the load.

COMPACT TYPE RS4 SERIES GEARED MOTOR



MOTOR DIMENSION

UNIT : mm[inch]



MODEL NO.	"A"	"B"	WEIGHT(kg)
RS42□□□□	78.8 [3.102]	43.8 [1.724]	0.39
RS43□□□□	88.4 [3.480]	53.4 [2.102]	0.43
RS44□□□□	93.5 [3.681]	58.5 [2.303]	0.50
RS45□□□□	101.1 [3.980]	66.1 [2.602]	0.54
RS46□□□□	110.0 [4.331]	75.0 [2.953]	0.58

PERMISSIBLE TORQUE OF GEAR BOX

TYPE	GEAR RATIO	5.9	11.5	19.7	38.3	65.5	127.8	218.4	425.9	728.1	1419.8
RS42□□□□	No Load rpm	1189	610	356	183	107	55	32	16	10	5
	N·m	0.07	0.15	0.23	0.44	0.67	1.31	2.02	2.12	2.12	2.12
	oz·in	10.6	20.7	31.9	62.0	95.4	186.2	286.3	299.7	299.7	299.7
	kgf·cm	0.76	1.49	2.30	4.47	6.88	13.42	20.63	21.60	21.60	21.60
RS43□□□□	No Load rpm	1016	521	304	156	91	47	27	14	8	4
	N·m	0.15	0.30	0.46	0.90	1.39	2.12	2.12	2.12	2.12	2.12
	oz·in	21.9	42.7	65.8	127.9	196.8	299.7	299.7	299.7	299.7	299.7
	kgf·cm	1.58	3.07	4.74	9.21	14.18	21.60	21.60	21.60	21.60	21.60
RS44□□□□	No Load rpm	1043	535	312	161	94	48	28	14	8	4
	N·m	0.20	0.39	0.61	1.18	1.81	2.12	2.12	2.12	2.12	2.12
	oz·in	28.5	55.6	85.7	166.6	256.4	299.7	299.7	299.7	299.7	299.7
	kgf·cm	2.05	4.01	6.18	12.01	18.48	21.60	21.60	21.60	21.60	21.60
RS45□□□□	No Load rpm	1076	552	322	166	97	50	29	15	9	4
	N·m	0.23	0.45	0.69	1.34	2.06	2.12	2.12	2.12	2.12	2.12
	oz·in	32.5	63.3	97.7	189.9	292.2	299.7	299.7	299.7	299.7	299.7
	kgf·cm	2.34	4.56	7.04	13.68	21.06	21.60	21.60	21.60	21.60	21.60
RS46□□□□	No Load rpm	833	427	250	128	75	38	23	12	7	3
	N·m	0.32	0.62	0.96	1.86	2.12	2.12	2.12	2.12	2.12	2.12
	oz·in	45.1	87.9	135.5	263.5	299.7	299.7	299.7	299.7	299.7	299.7
	kgf·cm	3.25	6.33	9.77	18.99	21.60	21.60	21.60	21.60	21.60	21.60

■ ■ Color indicates that the output shaft of the geared motor rotates in the same direction as the output shaft of the motor.
Others indicate rotation in the opposite direction.

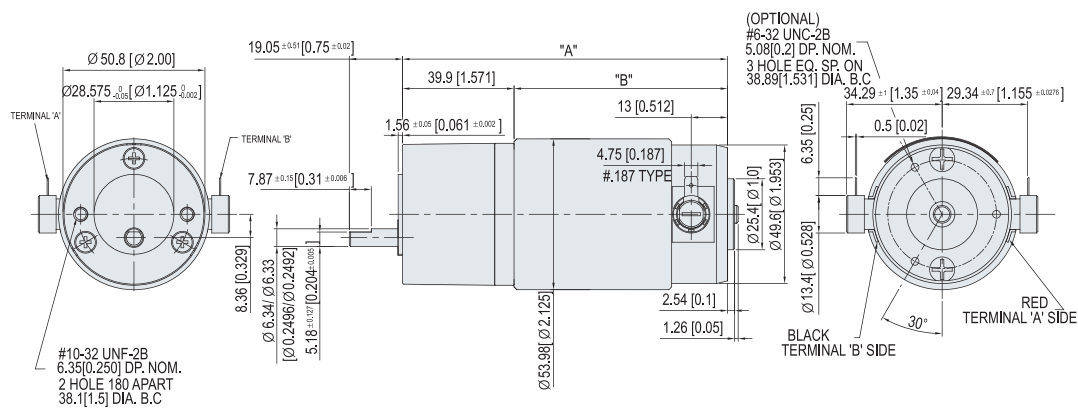
■ No Load rpm equals Motor no load rpm divided by gear ratio. The actual rotation speed is less 2-20% than the displayed value according to the load.

COMPACT TYPE RS5 SERIES GEARED MOTOR



MOTOR DIMENSION

UNIT : mm[inch]



MODEL NO.	"A"	"B"	WEIGHT(kg)
RS51□□□□	109.9 [4.327]	70.0 [2.756]	0.84
RS52□□□□	115.90 [4.563]	76.0 [2.992]	0.95

PERMISSIBLE TORQUE OF GEAR BOX

TYPE	GEAR RATIO	5.9	19.7	65.5
RS51B□□□	No Load rpm	717	215	65
	N-m	0.27	0.82	2.12
	oz-in	38.46	115.59	299.74
	kgf·cm	2.77	8.33	21.60
RS52B□□□	No Load rpm	693	207	62
	N-m	0.43	1.29	2.12
	oz-in	61.01	183.35	299.74
	kgf·cm	4.40	13.21	21.60

- ■ Color indicates that the output shaft of the geared motor rotates in the same direction as the output shaft of the motor. Others indicate rotation in the opposite direction.
- No Load rpm equals Motor no load rpm divided by gear ratio. The actual rotation speed is less 2-20% than the displayed value according to the load.