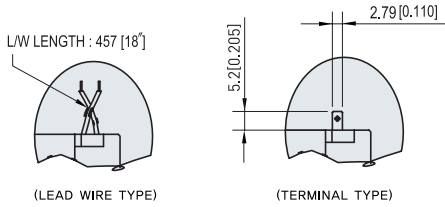
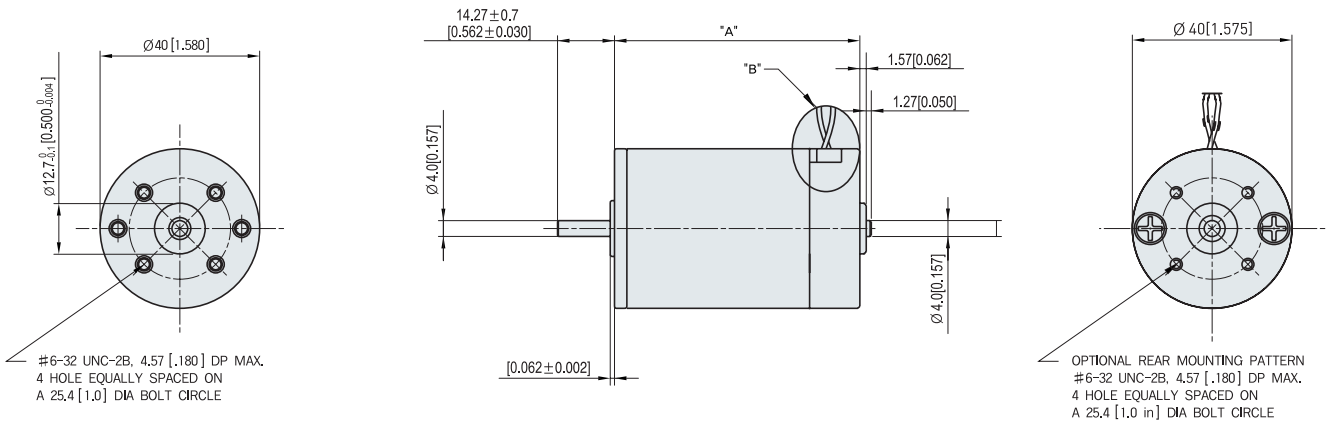


# COMPACT TYPE RM4 SERIES MOTOR

## MOTOR DIMENSION

UNIT : mm[inch]



DETAIL "B" CONNECTOR METHOD

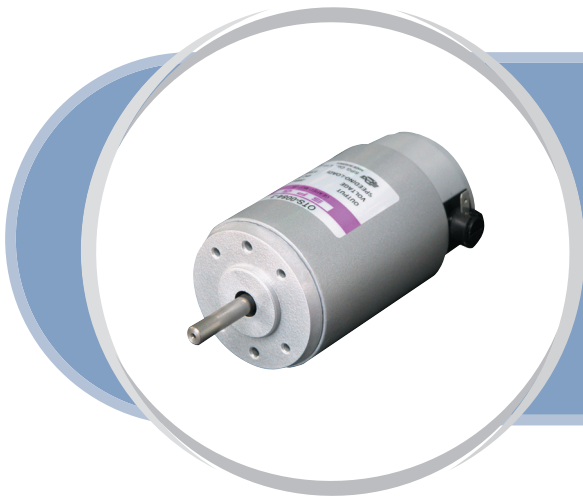
MODEL NO.	"A"
RM42□□□	46.4 [1,827]
RM43□□□	56.0 [2,205]
RM44□□□	61.1 [2,406]
RM45□□□	68.7 [2,705]
RM46□□□	77.6 [3,055]

## MOTOR SPECIFICATION

( Voltage : DC 24V )

Type	No Load		Rated			Stall(Peak)		Run Duty	Weight		
	Revolution	Current	Contionuus Torque(Max.)		Revolution	Current	Peak Torque			Current	
	RPM	A	-		RPM	A	-	A	Hr	Kg	
RM42B□□	7015	0.24	0.02	N·m	5497	0.74	0.064	N·m	2.9	1000	0.20
			2.22	oz·in			9.02	oz·in			
			0.16	kgf·cm			0.65	kgf·cm			
RM43B□□	5993	0.20	0.03	N·m	4486	1.13	0.140	N·m	5.0	1000	0.25
			4.58	oz·in			19.84	oz·in			
			0.33	kgf·cm			1.43	kgf·cm			
RM44B□□	6151	0.24	0.04	N·m	5111	1.20	0.266	N·m	7.7	1000	0.29
			5.97	oz·in			37.61	oz·in			
			0.43	kgf·cm			2.71	kgf·cm			
RM45B□□	6348	0.30	0.05	N·m	5440	1.58	0.324	N·m	10.8	1000	0.33
			6.80	oz·in			45.93	oz·in			
			0.49	kgf·cm			3.31	kgf·cm			
RM46B□□	4916	0.24	0.07	N·m	4101	1.53	0.369	N·m	8.7	1000	0.39
			9.44	oz·in			52.32	oz·in			
			0.68	kgf·cm			3.77	kgf·cm			

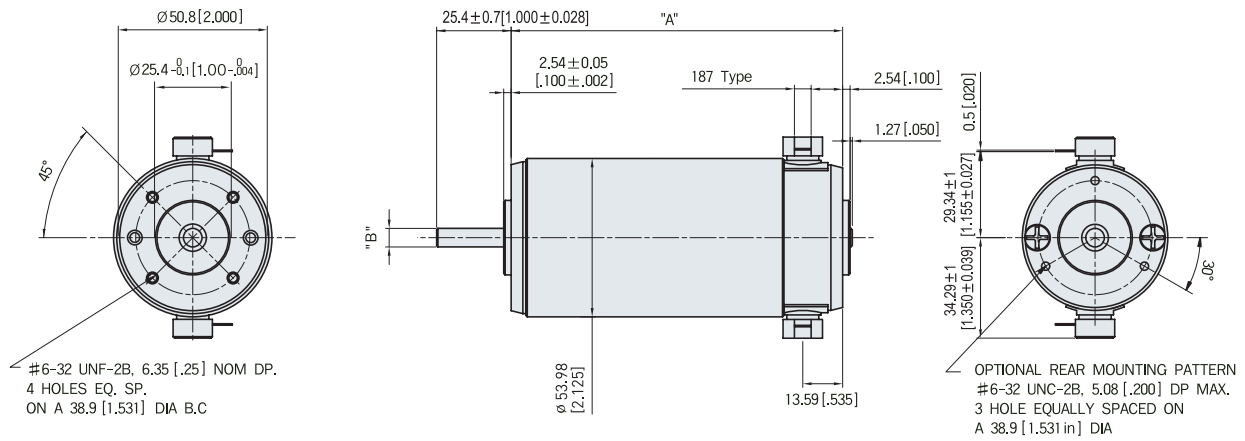
※ Run duty is valued at rated Voltage and No load.



# COMPACT TYPE RM5 SERIES MOTOR

## MOTOR DIMENSION

UNIT : mm[inch]



MODEL NO.	"A"	"B"
RM51□□□	75.0 [2,953]	6,336±0.003 [0,2494±0.0001]
RM52□□□	81.0 [3,189]	
RM53□□□	94.0 [3,701]	

MODEL NO.	"A"	"B"
RM54□□□	103.4 [4,071]	6,336±0.003 [0,2494±0.0001]
RM55□□□	113.0 [4,449]	

## MOTOR SPECIFICATION

( Voltage : DC 24V )

Type	No Load		Rated			Stall(Peak)		Run Duty Hr	Weight Kg		
	Revolution	Current	Contionuous Torque(Max.)		Revolution	Current	Peak Torque			Current	
	RPM	A	-		RPM	A	-			A	
RM51B□T	4230	0.4	0.06	N·m	3725	1.36	0.46	N·m	11,36	2000	0.59
			8.0	oz·in			64.5	oz·in			
			0.58	kgf·cm			4.65	kgf·cm			
RM52B□T	4087	0.5	0.09	N·m	3595	1.94	0.67	N·m	15,55	2000	0.74
			12.8	oz·in			94.8	oz·in			
			0.92	kgf·cm			6.83	kgf·cm			
RM53B□T	3400	0.5	0.15	N·m	2930	2.67	0.96	N·m	19,27	2000	0.89
			21.2	oz·in			135.7	oz·in			
			1.53	kgf·cm			9.78	kgf·cm			
RM54B□T	3630	0.5	0.18	N·m	3180	3.18	1.31	N·m	26,47	2000	1
			25.5	oz·in			185.4	oz·in			
			1.84	kgf·cm			13.36	kgf·cm			
RM55B□T	2900	0.4	0.22	N·m	2510	3.05	1.46	N·m	23,6	2000	1.12
			31.1	oz·in			207.0	oz·in			
			2.24	kgf·cm			14.92	kgf·cm			

※ Run duty is valued at rated Voltage and No load.